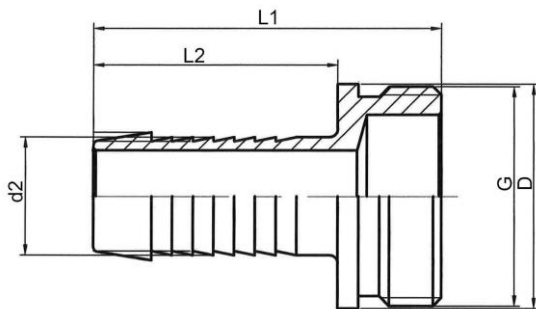


Operating pressure  
Material

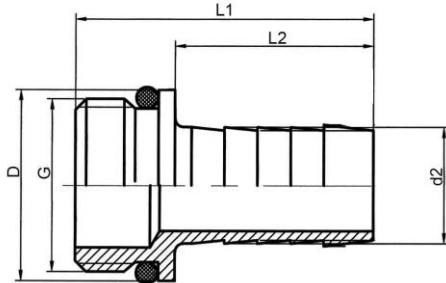
0 to 16 bar  
Brass CW614N



SV3413MS13F

1/3 Tube fitting, taper seat, with collar, heavy-duty type

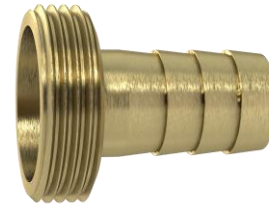
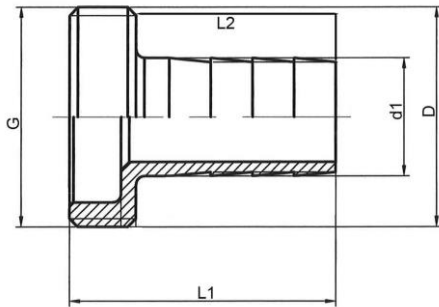
| Art. No. | Type No.     | Thread  | For hose mm | Operating temperature min. / max. °C | L1 mm | L2 mm | D mm | d2 mm |
|----------|--------------|---------|-------------|--------------------------------------|-------|-------|------|-------|
| 146123   | SV1210MS13F  | G 1/2   | 10          | -10 / 100                            | 39.0  | 27.0  | 23.0 | 11.5  |
| 146124   | SV1213MS13F  | G 1/2   | 13          | -10 / 100                            | 42.0  | 29.5  | 23.0 | 14.0  |
| 146125   | SV3413MS13F  | G 3/4   | 13          | -10 / 100                            | 42.0  | 29.5  | 27.0 | 14.2  |
| 146126   | SV3416MS13F  | G 3/4   | 16          | -10 / 100                            | 45.0  | 32.5  | 27.5 | 17.0  |
| 146127   | SV3419MS13F  | G 3/4   | 19          | -10 / 100                            | 49.0  | 36.5  | 27.0 | 20.0  |
| 146128   | SV1013MS13F  | G 1     | 13          | -10 / 100                            | 44.0  | 31.0  | 33.0 | 14.0  |
| 146129   | SV1019MS13F  | G 1     | 19          | -10 / 100                            | 50.0  | 37.5  | 33.5 | 20.0  |
| 146130   | SV1025MS13F  | G 1     | 25          | -10 / 100                            | 52.0  | 39.0  | 33.0 | 26.0  |
| 146131   | SV11419MS13F | G 1 1/4 | 19          | -10 / 100                            | 53.0  | 38.5  | 42.2 | 20.2  |
| 146132   | SV11425MS13F | G 1 1/4 | 25          | -10 / 100                            | 55.0  | 40.0  | 42.0 | 26.0  |



SV3413MS130

1/3 Tube fitting, NBR O-ring, with collar

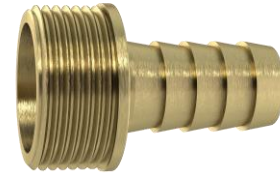
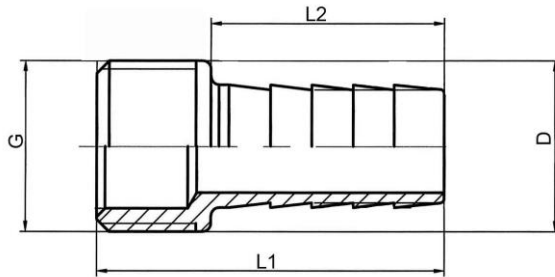
| Art. No. | Type No.     | Thread  | For hose mm | Operating temperature min. / max. °C | L1 mm | L2 mm | D mm | d2 mm |
|----------|--------------|---------|-------------|--------------------------------------|-------|-------|------|-------|
| 146133   | SV1213MS130  | G 1/2   | 13          | -10 / 80                             | 36.0  | 24.0  | 23.0 | 14.0  |
| 146134   | SV3413MS130  | G 3/4   | 13          | -10 / 80                             | 39.0  | 27.0  | 29.5 | 14.0  |
| 146135   | SV3419MS130  | G 3/4   | 19          | -10 / 80                             | 41.0  | 29.0  | 28.5 | 19.8  |
| 146136   | SV1019MS130  | G 1     | 19          | -10 / 80                             | 43.0  | 30.0  | 34.0 | 20.0  |
| 146137   | SV1025MS130  | G 1     | 25          | -10 / 80                             | 46.0  | 33.6  | 34.0 | 25.8  |
| 146138   | SV11425MS130 | G 1 1/4 | 25          | -10 / 80                             | 49.0  | 36.0  | 43.0 | 25.4  |
| 146139   | SV11432MS130 | G 1 1/4 | 32          | -10 / 80                             | 53.0  | 40.0  | 43.0 | 33.0  |
| 146140   | SV11232MS130 | G 1 1/2 | 32          | -10 / 80                             | 54.0  | 39.2  | 50.5 | 33.0  |
| 146141   | SV11238MS130 | G 1 1/2 | 38          | -10 / 80                             | 60.0  | 44.5  | 50.7 | 39.0  |



SV3413MS13FL

**1/3 Tube fitting, taper seat, without collar, lightweight type**

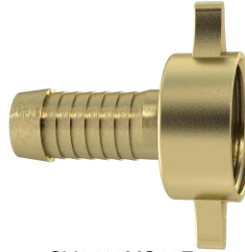
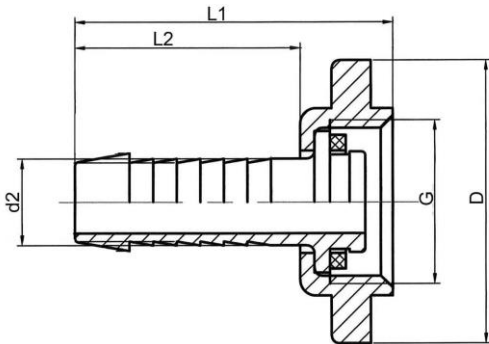
| Art. No. | Type No.      | Thread  | For hose mm | Operating temperature min. / max. °C | L1 mm | L2 mm | D mm | d1 mm |
|----------|---------------|---------|-------------|--------------------------------------|-------|-------|------|-------|
| 146142   | SV1210MS13FL  | G 1/2   | 10          | -10 / 100                            | 32.7  | 25.0  | 20.5 | 10.8  |
| 146143   | SV1213MS13FL  | G 1/2   | 13          | -10 / 100                            | 36.0  | 28.0  | 20.5 | 14.0  |
| 146144   | SV3413MS13FL  | G 3/4   | 13          | -10 / 100                            | 32.0  | 24.0  | 26.0 | 14.2  |
| 146145   | SV3416MS13FL  | G 3/4   | 16          | -10 / 100                            | 32.0  | 24.0  | 26.0 | 16.7  |
| 146146   | SV3419MS13FL  | G 3/4   | 19          | -10 / 100                            | 36.0  | 27.0  | 26.0 | 20.1  |
| 146147   | SV1019MS13FL  | G 1     | 19          | -10 / 100                            | 34.7  | 27.0  | 32.7 | 20.1  |
| 146148   | SV1025MS13FL  | G 1     | 25          | -10 / 100                            | 40.0  | 30.0  | 32.7 | 26.2  |
| 146149   | SV11425MS13FL | G 1 1/4 | 25          | -10 / 100                            | 39.8  | 30.0  | 41.3 | 26.2  |
| 146150   | SV11232MS13FL | G 1 1/2 | 32          | -10 / 100                            | 56.0  | 43.0  | 47.5 | 33.0  |
| 146151   | SV11238MS13FL | G 1 1/2 | 38          | -10 / 100                            | 56.0  | 43.0  | 47.5 | 40.5  |
| 146152   | SV2050MS13FL  | G 2     | 50          | -10 / 100                            | 64.0  | 50.0  | 59.4 | 52.5  |



SV3413MS13CH

1/3 Tube fitting, taper seat, with collar, CH type

| Art. No. | Type No.     | Thread | For hose mm | Operating temperature min. / max. °C | L1 mm | L2 mm | D mm |
|----------|--------------|--------|-------------|--------------------------------------|-------|-------|------|
| 146153   | SV1210MS13CH | G 1/2  | 10          | -10 / 100                            | 42.0  | 28.0  | 20.6 |
| 146154   | SV1213MS13CH | G 1/2  | 13          | -10 / 100                            | 42.0  | 28.0  | 20.6 |
| 146155   | SV1216MS13CH | G 1/2  | 16          | -10 / 100                            | 42.0  | 28.0  | 20.6 |
| 146156   | SV3413MS13CH | G 3/4  | 13          | -10 / 100                            | 42.0  | 28.0  | 26.8 |
| 146158   | SV3416MS13CH | G 3/4  | 16          | -10 / 100                            | 42.5  | 28.5  | 26.8 |
| 146159   | SV3419MS13CH | G 3/4  | 19          | -10 / 100                            | 43.0  | 29.0  | 26.8 |
| 146160   | SV1013MS13CH | G 1    | 13          | -10 / 100                            | 44.0  | 29.0  | 33.2 |
| 146161   | SV1016MS13CH | G 1    | 16          | -10 / 100                            | 44.0  | 29.0  | 33.2 |
| 146162   | SV1019MS13CH | G 1    | 19          | -10 / 100                            | 45.0  | 29.5  | 33.2 |
| 146163   | SV1022MS13CH | G 1    | 22          | -10 / 100                            | 45.0  | 30.0  | 33.2 |
| 146164   | SV1025MS13CH | G 1    | 25          | -10 / 100                            | 45.0  | 30.0  | 32.7 |



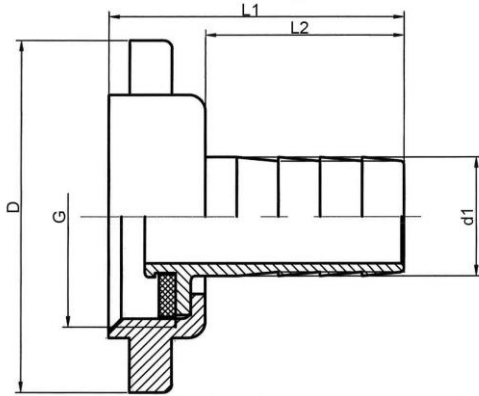
SV3413MS23F



SV1213MS23RF

**2/3 Tube fitting, swivel nut, taper seat, heavy-duty type**

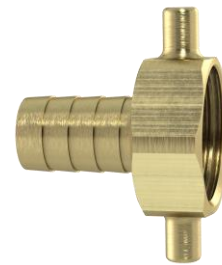
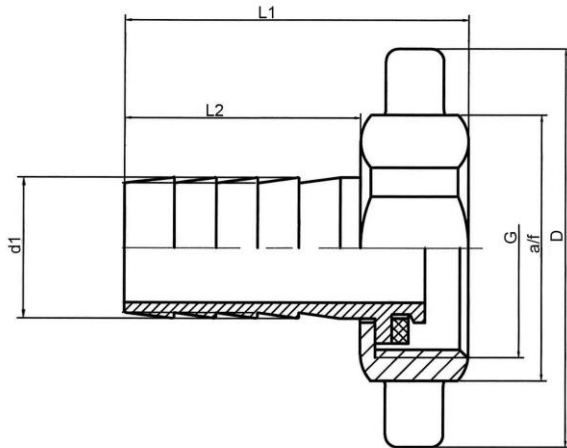
| Art. No. | Type No.     | Thread  | For hose mm | Operating temperature min. / max. °C | L1 mm | L2 mm | D mm | d2 mm | Version     |
|----------|--------------|---------|-------------|--------------------------------------|-------|-------|------|-------|-------------|
| 146165   | SV1210MS23F  | G 1/2   | 10          | -10 / 100                            | 40.5  | 28.2  | 36.0 | 11.0  | Swivel nut  |
| 146166   | SV1213MS23F  | G 1/2   | 13          | -10 / 100                            | 44.5  | 32.5  | 36.0 | 14.0  | Swivel nut  |
| 146167   | SV1213MS23RF | G 1/2   | 13          | -10 / 100                            | 44.2  | 32.5  | 24,2 | 14.0  | Knurled nut |
| 146168   | SV3410MS23F  | G 3/4   | 10          | -10 / 100                            | 42.0  | 28.0  | 49.0 | 11.0  | Swivel nut  |
| 146169   | SV3413MS23F  | G 3/4   | 13          | -10 / 100                            | 46.5  | 33.0  | 49.0 | 14.2  | Swivel nut  |
| 146170   | SV3416MS23F  | G 3/4   | 16          | -10 / 100                            | 45.5  | 32.0  | 49.0 | 17.0  | Swivel nut  |
| 146171   | SV3419MS23F  | G 3/4   | 19          | -10 / 100                            | 50.2  | 36.5  | 49.0 | 20.0  | Swivel nut  |
| 146172   | SV1013MS23F  | G 1     | 13          | -10 / 100                            | 47.0  | 32.0  | 55.0 | 14.0  | Swivel nut  |
| 146173   | SV1019MS23F  | G 1     | 19          | -10 / 100                            | 54.0  | 39.0  | 55.0 | 20.0  | Swivel nut  |
| 146174   | SV1025MS23F  | G 1     | 25          | -10 / 100                            | 55.5  | 40.5  | 55.0 | 26.0  | Swivel nut  |
| 146175   | SV11419MS23F | G 1 1/4 | 19          | -10 / 100                            | 56.7  | 39.0  | 66.0 | 20.0  | Swivel nut  |
| 146176   | SV11425MS23F | G 1 1/4 | 25          | -10 / 100                            | 58.5  | 42.5  | 63.4 | 26.0  | Swivel nut  |



SV3413MS23FL

2/3 Tube fitting, swivel nut, taper seat, lightweight type

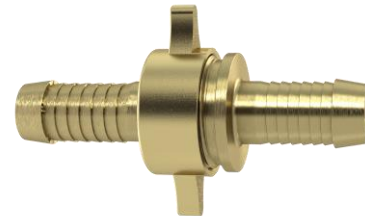
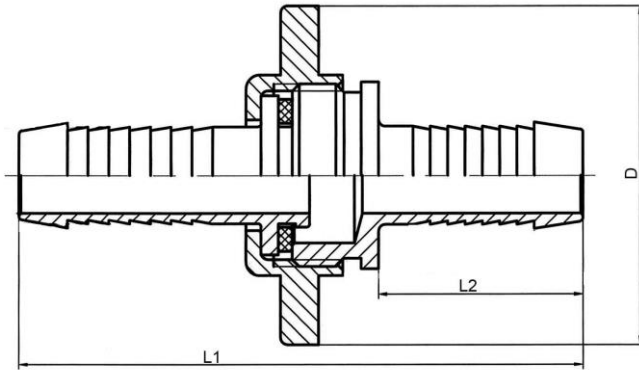
| Art. No. | Type No.      | Thread  | For hose mm | Operating temperature min. / max. °C | L1 mm | L2 mm | D mm | d1 mm |
|----------|---------------|---------|-------------|--------------------------------------|-------|-------|------|-------|
| 146177   | SV1210MS23FL  | G 1/2   | 10          | -10 / 100                            | 35.5  | 24.5  | 36.0 | 10.6  |
| 146178   | SV1213MS23FL  | G 1/2   | 13          | -10 / 100                            | 35.4  | 24.5  | 36.0 | 13.9  |
| 146179   | SV3410MS23FL  | G 3/4   | 10          | -10 / 100                            | 36.0  | 24.5  | 41.8 | 10.8  |
| 146180   | SV3413MS23FL  | G 3/4   | 13          | -10 / 100                            | 35.2  | 24.0  | 41.8 | 14.2  |
| 146181   | SV3416MS23FL  | G 3/4   | 16          | -10 / 100                            | 37.0  | 24.8  | 41.8 | 16.4  |
| 146182   | SV3419MS23FL  | G 3/4   | 19          | -10 / 100                            | 37.5  | 26.0  | 41.8 | 20.0  |
| 146183   | SV1013MS23FL  | G 1     | 13          | -10 / 100                            | 41.0  | 28.5  | 50.6 | 14.2  |
| 146184   | SV1019MS23FL  | G 1     | 19          | -10 / 100                            | 41.5  | 28.3  | 50.6 | 20.5  |
| 146185   | SV1025MS23FL  | G 1     | 25          | -10 / 100                            | 40.4  | 27.7  | 50.6 | 25.6  |
| 146186   | SV11425MS23FL | G 1 1/4 | 25          | -10 / 100                            | 46.0  | 30.0  | 63.4 | 26.0  |
| 146187   | SV11432MS23FL | G 1 1/4 | 32          | -10 / 100                            | 60.0  | 44.7  | 63.4 | 33.0  |
| 146188   | SV11232MS23FL | G 1 1/2 | 32          | -10 / 100                            | 60.8  | 43.5  | 75.7 | 33.5  |
| 146189   | SV11238MS23FL | G 1 1/2 | 38          | -10 / 100                            | 60.0  | 42.5  | 75.7 | 40.0  |
| 146190   | SV13438MS23FL | G 1 3/4 | 38          | -10 / 100                            | 68.0  | 47.8  | 88.0 | 40.0  |
| 146191   | SV2050MS23FL  | G 2     | 50          | -10 / 100                            | 78.0  | 56.0  | 98.0 | 52.0  |



SV3413MS23CH

**2/3 Tube fitting, swivel nut, lightweight CH type**

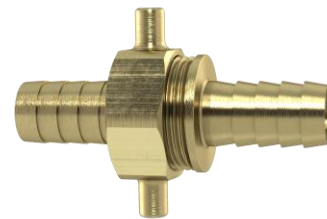
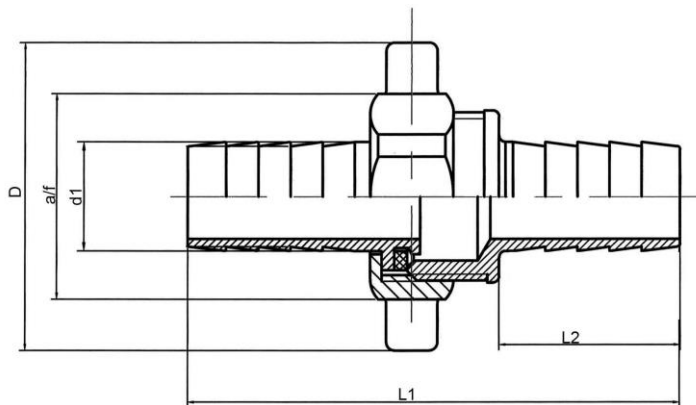
| Art. No. | Type No.     | Thread | For hose mm | Operating temperature min. / max. °C | L1 mm | L2 mm | a/f mm | D mm | d1 mm |
|----------|--------------|--------|-------------|--------------------------------------|-------|-------|--------|------|-------|
| 146192   | SV1213MS23CH | G 1/2  | 13          | -10 / 100                            | 38.2  | 25.1  | 24     | 38.7 | 14.8  |
| 146193   | SV1216MS23CH | G 1/2  | 16          | -10 / 100                            | 38.4  | 25.4  | 24     | 38.7 | 16.4  |
| 146194   | SV3413MS23CH | G 3/4  | 13          | -10 / 100                            | 37.4  | 24.6  | 29     | 48.0 | 14.8  |
| 146195   | SV3416MS23CH | G 3/4  | 16          | -10 / 100                            | 40.0  | 27.0  | 29     | 48.0 | 16.7  |
| 146196   | SV3419MS23CH | G 3/4  | 19          | -10 / 100                            | 41.0  | 28.0  | 29     | 48.0 | 20.0  |
| 146197   | SV1016MS23CH | G 1    | 16          | -10 / 100                            | 42.0  | 27.5  | 36     | 58.0 | 16.8  |
| 146198   | SV1019MS23CH | G 1    | 19          | -10 / 100                            | 42.5  | 27.5  | 36     | 58.0 | 20.6  |
| 146199   | SV1025MS23CH | G 1    | 25          | -10 / 100                            | 43.0  | 29.7  | 36     | 58.0 | 25.9  |



SV3413MS33F

3/3 Tube fitting, swivel nut, taper seat with NBR O-ring

| Art. No. | Type No.     | Thread  | For hose mm | Operating temperature min. / max. °C | L1 mm | L2 mm | D mm |
|----------|--------------|---------|-------------|--------------------------------------|-------|-------|------|
| 146200   | SV3413MS33F  | G 3/4   | 13          | -10 / 80                             | 81.3  | 29.5  | 49.0 |
| 146201   | SV1019MS33F  | G 1     | 19          | -10 / 80                             | 95.0  | 37.5  | 55.0 |
| 146202   | SV11425MS33F | G 1 1/4 | 25          | -10 / 80                             | 103.7 | 40.0  | 66.0 |

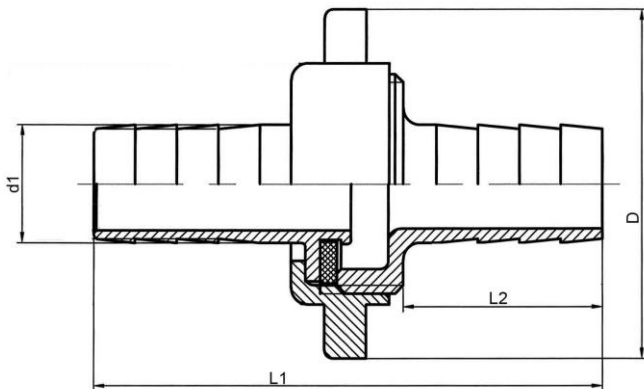


SV3413MS33CH

3/3 Tube fitting, swivel nut, taper seat, CH type

| Art. No. | Type No.     | Thread | For hose mm | Operating temperature min. / max. °C | L1 mm | L2 mm | a/f mm | D mm | d1 mm |
|----------|--------------|--------|-------------|--------------------------------------|-------|-------|--------|------|-------|
| 146203   | SV3413MS33CH | G 3/4  | 13          | -10/100                              | 72.0  | 28.2  | 29     | 48.0 | 14.8  |
| 146204   | SV3416MS33CH | G 3/4  | 16          | -10/100                              | 75.5  | 28.5  | 29     | 48.0 | 16.8  |
| 146205   | SV3419MS33CH | G 3/4  | 19          | -10/100                              | 76.5  | 28.7  | 29     | 48.0 | 20.0  |
| 146206   | SV1019MS33CH | G 1    | 19          | -10/100                              | 79.0  | 29.5  | 36     | 58.0 | 20.6  |

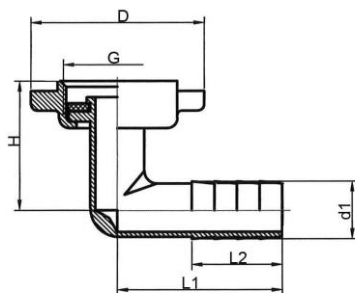




SV3413MS33FL

**3/3 Tube fitting, swivel nut, taper seat, with NBR O-ring, lightweight type**

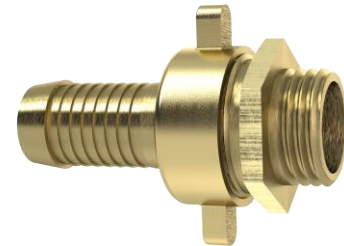
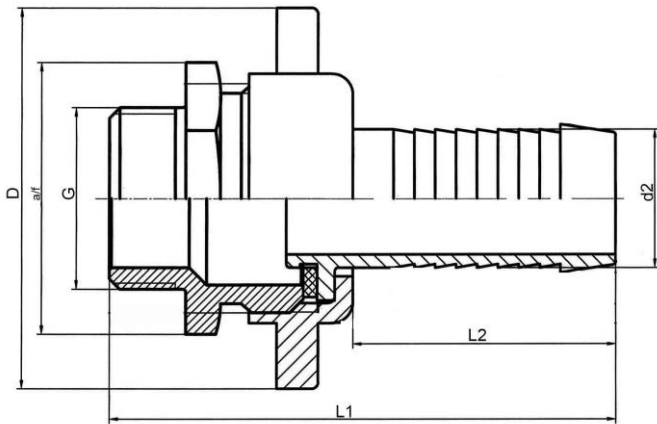
| Art. No. | Type No.      | Thread  | For hose mm | Operating temperature min. / max. °C | L1 mm | L2 mm | D mm | d1 mm |
|----------|---------------|---------|-------------|--------------------------------------|-------|-------|------|-------|
| 146207   | SV3413MS33FL  | G 3/4   | 13          | -10 / 80                             | 61.1  | 24.0  | 41.3 | 14.2  |
| 146208   | SV1019MS33FL  | G 1     | 19          | -10 / 80                             | 66.5  | 27.0  | 50.4 | 20.2  |
| 146209   | SV11425MS33FL | G 1 1/4 | 25          | -10 / 80                             | 75.4  | 30.0  | 63.4 | 26.0  |



SVW3413MS23F

**2/3 Elbow tube fitting, swivel nut, taper seat**

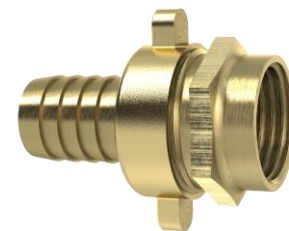
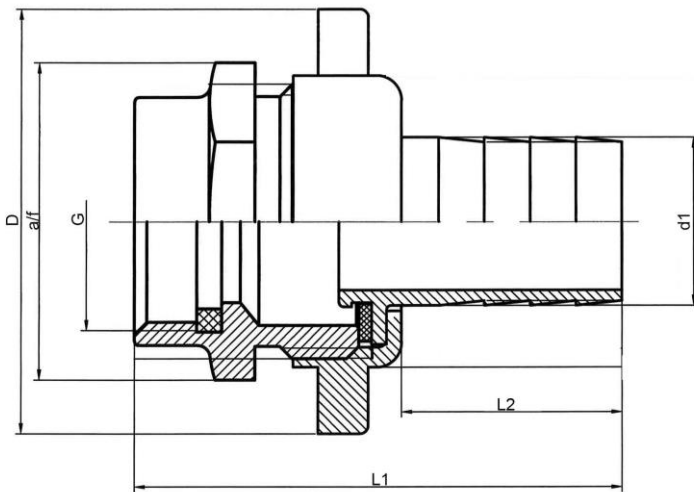
| Art. No. | Type No.     | Thread | For hose mm | Operating temperature min. / max. °C | L1 mm | L2 mm | D mm | H mm | d1 mm |
|----------|--------------|--------|-------------|--------------------------------------|-------|-------|------|------|-------|
| 146210   | SVW1210MS23F | G 1/2  | 10          | -10 / 100                            | 41.1  | 27.5  | 36.0 | 31.6 | 10.8  |
| 146211   | SVW1213MS23F | G 1/2  | 13          | -10 / 100                            | 38.3  | 27.5  | 36.0 | 30.5 | 13.9  |
| 146212   | SVW3410MS23F | G 3/4  | 10          | -10 / 100                            | 40.8  | 27.5  | 42.0 | 30.0 | 11.0  |
| 146213   | SVW3413MS23F | G 3/4  | 13          | -10 / 100                            | 48.0  | 27.5  | 42.0 | 31.0 | 14.2  |
| 146214   | SVW1019MS23F | G 1    | 19          | -10 / 100                            | 47.6  | 27.5  | 50.5 | 35.0 | 19.9  |



SRV3419MS33F

3/3 Stand pipe fitting, male thread, nut, taper seat

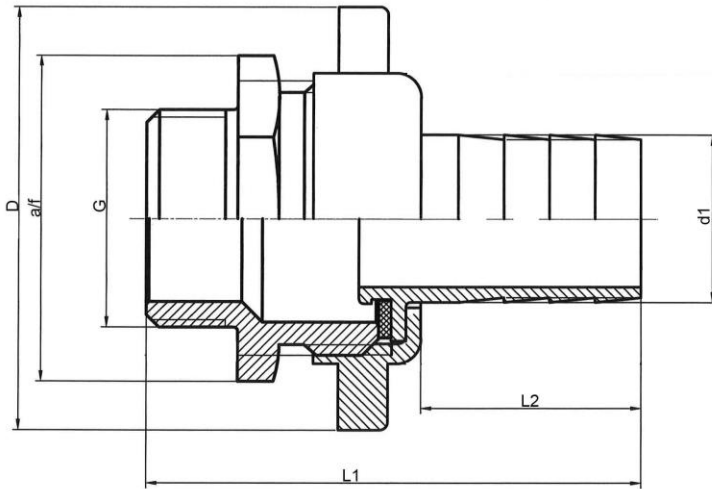
| Art. No. | Type No.     | Thread | For hose mm | Operating temperature min. / max. °C | L1 mm | L2 mm | a/f mm | D mm | d2 mm |
|----------|--------------|--------|-------------|--------------------------------------|-------|-------|--------|------|-------|
| 146215   | SRV1213MS33F | G 1/2  | 13          | -10/100                              | 65.5  | 33.0  | 27     | 49.0 | 14.0  |
| 146216   | SRV3419MS33F | G 3/4  | 19          | -10/100                              | 73.5  | 38.6  | 34     | 55.0 | 20.0  |
| 146217   | SRV1025MS33F | G 1    | 25          | -10/100                              | 82.7  | 42.0  | 41     | 66.0 | 26.0  |



SRV3419MS33CH

3/3 Stand pipe fitting, female thread, nut, taper seat, CH type

| Art. No. | Type No.      | Thread | For hose mm | Operating temperature min. / max. °C | L1 mm | L2 mm | a/f mm | D mm | d1 mm |
|----------|---------------|--------|-------------|--------------------------------------|-------|-------|--------|------|-------|
| 146218   | SRV1213MS33CH | G 1/2  | 13          | -10/100                              | 54.0  | 23.8  | 26     | 42.0 | 14.2  |
| 146219   | SRV3419MS33CH | G 3/4  | 19          | -10/100                              | 60.9  | 28.7  | 33     | 50.5 | 20.5  |
| 146220   | SRV1025MS33CH | G 1    | 25          | -10/100                              | 62.2  | 30.0  | 42     | 63.3 | 26.0  |



SRV3419MS33FL

3/3 Stand pipe fitting, male thread, nut, taper seat, lightweight type

| Art. No. | Type No.       | Thread  | For hose mm | Operating temperature min. / max. °C | L1 mm | L2 mm | a/f mm | D mm | d1 mm |
|----------|----------------|---------|-------------|--------------------------------------|-------|-------|--------|------|-------|
| 146221   | SRV1213MS33FL  | G 1/2   | 13          | -10/100                              | 55.1  | 24.0  | 27     | 41.3 | 14.2  |
| 146222   | SRV3419MS33FL  | G 3/4   | 19          | -10/100                              | 59.5  | 26.5  | 34     | 50.5 | 20.2  |
| 146223   | SRV1025MS33FL  | G 1     | 25          | -10/100                              | 69.5  | 30.0  | 41     | 63.4 | 26.0  |
| 146224   | SRV11432MS33FL | G 1 1/4 | 32          | -10/100                              | 91.0  | 44.0  | 50     | 75.5 | 33.5  |
| 146225   | SRV11238MS33FL | G 1 1/2 | 38          | -10/100                              | 102.2 | 47.7  | 55     | 88.0 | 40.5  |